



L65 MK2+L65S MK2 Column System

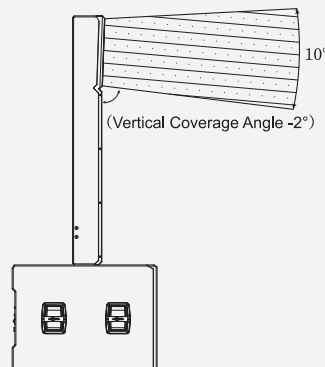
L65 MK2+L65S MK2 system is a compact multi-purpose active DSP column system consisting of a passive full-range column speaker L65 MK2 and an active DSP controlled compact single 18" subwoofer L65S MK2.

L65 MK2 passive full-range column speaker is built with 6pcs 5" customized drivers and 4pcs 1" customized drivers. The drivers are designed with sophisticated measurement and arranged elaborately by physical calibration technology Phycal™ to improve vertical acoustic beam coverage. The ETE™ waveguide system developed by Audiocenter forms cylindrical wave, then couples continually, working together with customized horn design to realize the perfect joint of frequency response, which provides the accurate horizontal coverage and ensures the well-balanced, clean and clear sound. L65 MK2 can meet the reinforcement application in different venues and complex space.

L65S MK2 is an active DSP controlled compact subwoofer with one 18" customized Audiocenter ferrite driver and very powerful Class D amplifier module. L65S MK2 is with built-in Bluetooth that supports multiple signal inputs.

L65 MK2+L65S MK2 is a plug and play column system with easy set up. The presets are made with a lot of testing. The system can be put in various applications.

 Bluetooth™



SUGGESTED APPLICATION



Ball room



House of worship



Museum



Lecture



DJ



Live show



Wedding

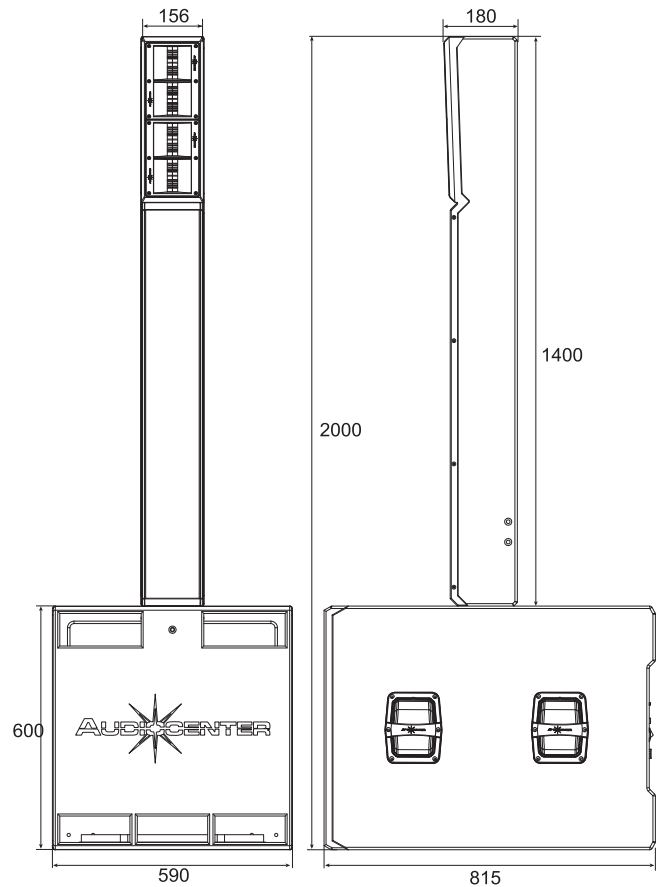


Stage Monitor

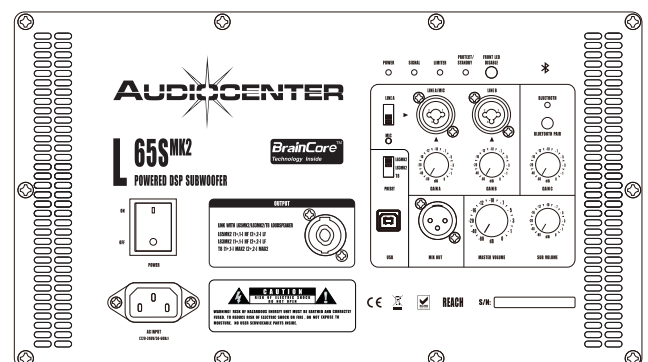
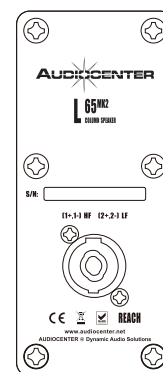
SPECIFICATION

Type	Active DSP-controlled Column Speaker System
Frequency Response(-6dB)	35Hz-19kHz
Maximum Calculated SPL/1M(Continuous/Peak):	131dB/137dB
Subwoofer	Customized driver, 1pc 18" driver
LF	Customized driver, 6pcs 5" drivers
HF	Customized driver, 4pcs 1" drivers
Horizontal Coverage	110°
Vertical Coverage	10°
DSP	
Processor	96kHz signal sampling frequency, 24bit precision
Crossover	Controlled by DSP
Class D amplifier	
Power	4000W
Frequency Response	20Hz-20kHz(±0.5dB)
Intermodulation Distortion	<0.05%
Total Harmonic Distortion	<0.05%
Protection	DC protection, short circuit protection, overheat protection, input overload protection, output overload protection, soft startup protection, overvoltage protection, undervoltage protection
Cooling System	Fans + air convection
Output / Input	
Signal Input	2×Combo (female XLR & Mono jack 6.35), 1×Stereo Bluetooth
Signal Output	1× male XLR
Amplifier Output Link L65 MK2	1× Speaker connector
Column Input Link L65S MK2	1× Speaker connector
Power Input	3 pin power socket
AC Power Operating Range	100V-130V~ or 220V-240V~ (±10%, 50/60Hz)
Cabinet	
Cabinet Material	CNC made of excellent wood
L65S MK2 Pole Mount	M20 base Φ35mm
Cabinet Color	Black is standard and default color. Consult with Audiocenter sales team for other customized colors

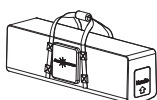
Dimension(W×H×D)	
L65 MK2	156×1400×180mm
L65S MK2	590×600×815mm
Height for 1pc L65 MK2+1pc L65S MK2+Pole	2000mm
Net Weight	
L65 MK2	21.0Kg
L65S MK2	54.0Kg



BACK PANEL



ACCESSORIES



Hand bag
For 1 pc L65 MK2



L65S MK2 Protection bag
(with wheel)